



**Allied Diesel
Maintenance**
Limited

CORPORATE PROFILE

Providing solutions to diesel engines...



We are your **Partner** for **Genuine Spare Parts & Technical Repairs** for heavy machinery

Allied Diesel Maintenance

A fusion of **Quality,** **Performance & Efficiency**

Allied Diesel Maintenance Ltd was established in 2011, in Abuja, Nigeria to service and help all type of construction and transport companies in Nigeria.

ADM delivers quality and certified replacement parts and high technical services. We are specialized in the diesel system for all type of trucks, generators and construction equipment.

Our expertise includes:

- Sales and Repair of all type of diesel system for any truck, machine or engine (injector pump, Common rail injectors, Unit Pumps, unit Injectors)
- Filters for all type of cars, trucks, generators, heavy equipment
- Water Separator for all type of trucks equipment generators and big tanks
- Batteries for all type of cars, trucks, generators, heavy equipments
- Hydraulic hoses for any type of machine or crane

ADM deploys a unique combination of competent teams to deliver excellent and cost effective Diesel Engine solutions focusing on quality and experience. Efficiency is emphasized from order inquiry, processing, and through delivery to the customer without ever sacrificing quality or accuracy.

We have a policy of imploring best-practice available, with rigorous supervision which provides us safe working environment without compromising on quality.

At **ADM**, We are driven to optimize the value created for our clients by deploying a unique combination of highly skilled and goal driven professionals, exceeding our client's expectations.

Our Business Drive

At **Allied Diesel Maintenance Ltd**, our businesses are supported by an integrated quality management system that underpins every aspect of our operations.

By strategically positioning quality management and effective product delivery, **ADM** has bound together the full value chain of a Diesel Maintenance and Infrastructure Companies, thus embedding the concept of a triple bottom line management culture, which is central to reinforcing sustainability and delivering a quality outcome to all clients as well as stakeholders.

Our Promise

It is our vision to be the go-to-place for heavy duty machinery spare parts and service. We are your partner in progress.



Quality & Reliability

Providing tried and tested, genuine products and services



Timely Service

Delivering quality and reliable products and service on-time



Expert Assistance

Experience makes all the difference. We are equipped with certified industry professionals.



Fostering Growth

Our quality products and service solutions are designed to drive profitability

Best-fit

Technical **Engineering** Services

Our **Technical Service** really does come first with **ADM**. Our range of services helps keep machine downtime to a minimum, without you breaking a bank.

Not only do **ADM** supply genuine spare parts, we also offer a best-fit-option repairs and fitting service. Whether it's **Pumps, Nozzles, Common Rails, Injectors, an on-site machine inspection and refurbishment**, ADM have an expert team on hand to facilitate your requirements.

We are specialized in servicing and repairing all types of diesel injector pumps and nozzles. From Bosch to Delphi, from Zexel to Denso as well for CAT and Stanadyne we are the specialists.

At **ADM** we think **quality first**. Every replacement part we repair or every maintenance service we give, must fulfill the highest quality standards so you can always have your equipment in perfect conditions.

Providing **Excellence, Speed, Delivery**





Genuine spare parts for an improved, long-lasting performance





Our Range of

Quality Spare Parts



Spare Parts

Filters

In ADM our filters are designed and manufactured to the specific specifications of each application. Using quality filtration means less component wear, reduces operational costs and increases the life span of your machine.





Spare Parts

Hydraulics

Our engineers and technicians are specialized in hydraulic systems for heavy duty equipment. This process allows us to offer you maximum reliability and efficiency in each one of the components of the hydraulic system





Spare Parts

Engine Parts

The spare parts required by your machine's engine kits. Our spare parts sales have most demanding tolerances and standards to ensure maximum performance of your machine at all levels.





Spare Parts

Engine Parts

The spare parts required by your machine's engine kits. Our spare parts sales have most demanding tolerances and standards to ensure maximum performance of your machine at all levels.





Spare Parts

Power Train

We provide a wide variety of high quality transmission/powertrain products to offer impeccable professional results. In this page we show only an overview of the parts in this family.

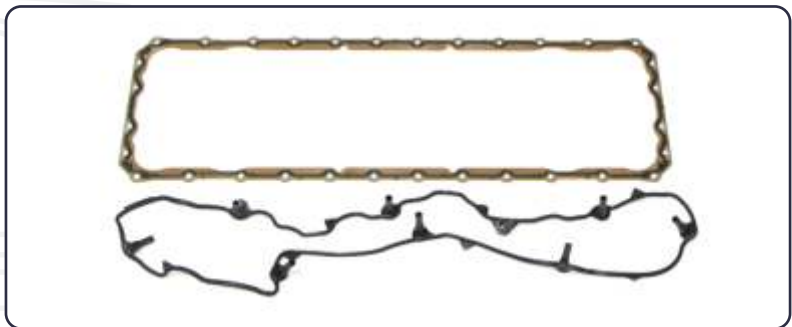
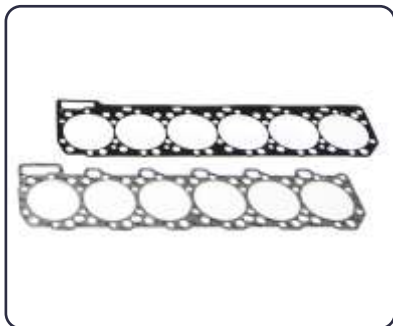
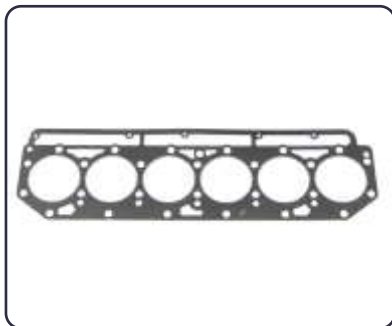




Spare Parts

Gaskets & Seal

At **ADM**, our O-ring range accomplishes the highest quality standards at a very competitive price, being the quickest and the most effective solution for your repairs and maintenance.





A real boost for your business **Bosch Batteries**



BOSCH

Invented for life



The Complete Battery Program from Bosch

Obvious, simple and compact - Bosch supplies the right battery for every need. Our cutting edge technology ensures reliable starting power to meet the increasing energy demand in new generation vehicles today, equipped with sophisticated electrical systems.

Assured Safety and Performance

Innovative technologies make a crucial contribution to the first class quality and high performance capacity of Bosch batteries. They are specifically designed for different vehicle profile and requirement. This guarantees maximum safety and reliability.

Battery Selection in Line with Customer Requests

Bosch has the battery for every customer and requirement. The battery selection is determined by the type of application, equipment, driveability and climate. Bosch batteries provide the market coverage you need for your success in the battery business.



Extra Service Life

Special Lid Structure

- Double lid with labyrinth construction prevents water loss

Wide Cast on Strap

- High vibration resistance minimizes shedding of active material

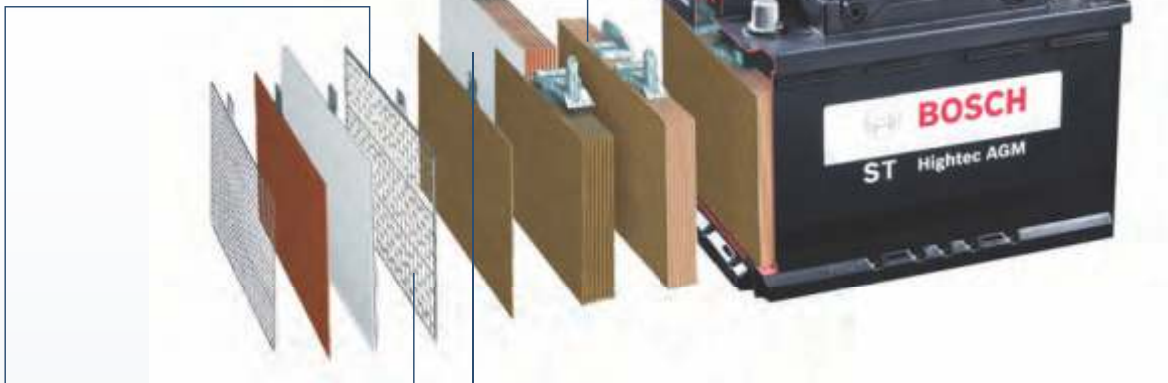
Polypropylene Case

- Made of highly durable material that can withstand high internal pressure



Assured Safety

- 100% leakage proof with AGM technology
- Eliminates emission of gases due to the recombinant nature
- Safety valves relieve excess pressure



Absorbent Glass Mat

- Electrolyte absorbed by micro-porous glass separators eliminates acid spills and terminal corrosion
- Optimized component compression minimizes loss of active material
- Maximizes charge reaction due to evenly distributed electrolyte
- Safety valves relieve excess pressure



Centralized Grid Lug / Fine Mesh Grid

- Higher charging and discharging performance
- Designed for maximum current flow and high charge efficiency
- Made of Tin-Calcium material with high corrosion resistance
- Low internal resistance translates into higher power output

ABS Container Case

- High vibration resistance
- High mechanical strength

Copper Terminal with Silver Coating (or Brass terminal with Tin coating)

- High electrical conductivity
- Anti-corrosive

High Quality AGM Separator

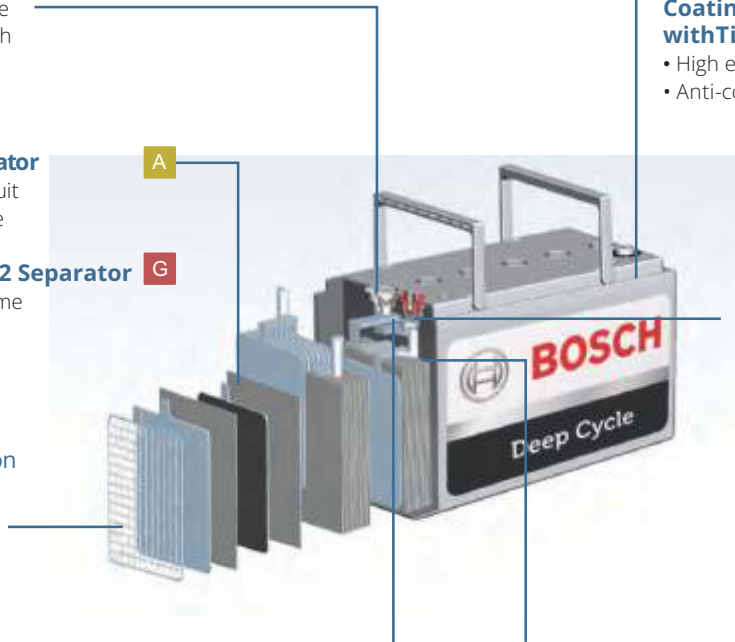
- Prevents micro short circuit
- Enhances longer life time

High Quality PVC-SiO₂ Separator

- Enhances longer life time

Bigger Size Grid with Special Alloy Composition

- Maximizes capacity
- Improves deep cycle performance
- Minimizes grid corrosion



Epoxy Resin Sealant

- High chemistry stability
- High adhesion capability

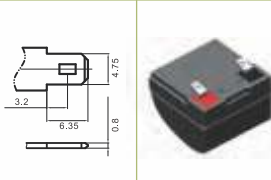
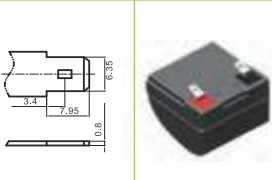
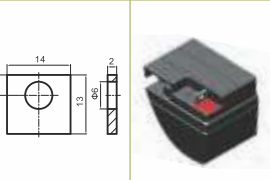
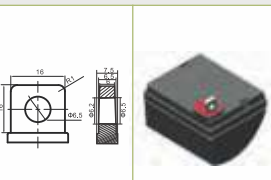
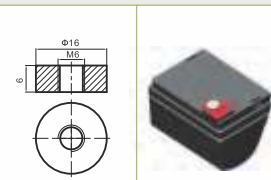

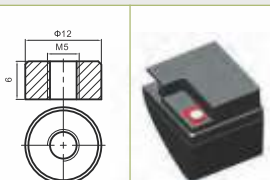
Safety Vent Valves

- Minimizes water loss
- Prevents contamination from external environment

Wide Caston Strap

- Delivers maximum current
- Higher vibration resistance

Terminal Specification

| | | | |
|---|---|--|---|
| <p>Terminal Specification</p> | <p>T1 Copper coated with Silver - FASTON</p>  | <p>T2 Copper coated with Silver - FASTON</p>  | <p>T3 Brass coated with Tin Torque: 3.9~5.4 N.m</p>  |
| <p>T5 Lead Torque: 3.9~5.4 N.m</p>  | <p>T6 Brass coated with Tin - Threaded Insert 6mm STUD Torque: 3.9~5.4 N.m</p>  | <p>T11 Brass coated with Tin - Threaded Insert 8mm STUD Torque: 11 ~14.7 N.m</p>  | <p>T12 Brass coated with Tin - Threaded Insert 5mm STUD Torque: 2.0 ~3.0 N.m</p>  |



For **performance, quality,**
delivery & best results
you can depend on



Spare Parts

Chassis

Quality steel with special hardness, flexibility and wear resistance. All parts are manufactured with the highest level of durability and endurance in mind. Guarantee under strict quality controls.





Spare Parts

Hydraulic Hoses

At ADM, we provide quality hydraulic hoses for your various needs.

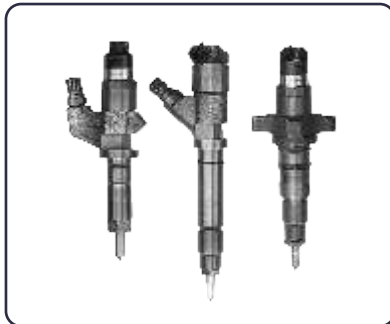




Spare Parts

Common Injector

At ADM, we provide quality hydraulic hoses for your various needs.





Spare Parts

Spark Plugs

At ADM, we provide quality spark plugs for your various needs.





We pride ourselves in
**delivering efficiency,
durability & excellence**

► Our Partners





We're Located @



Plot 1180 Behind NNPC Filing Station, Off Ameyo Adedavoh Way,
Gilmor, Jahi District, Abuja



0818-252-2222; 0912-002-0029



nader@admltd.net  www.admltd.net